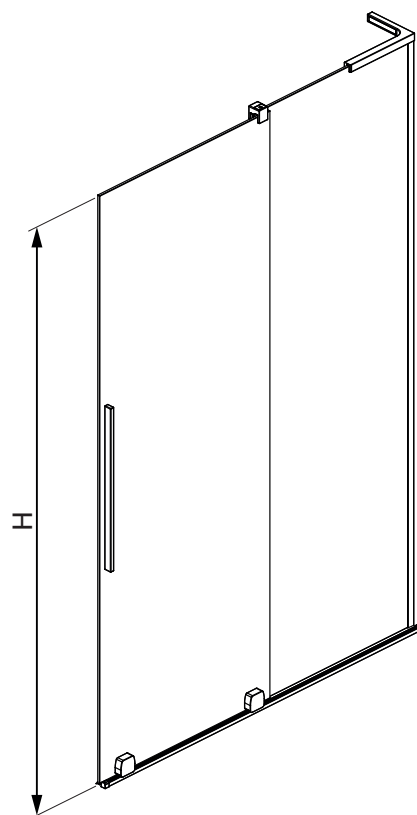
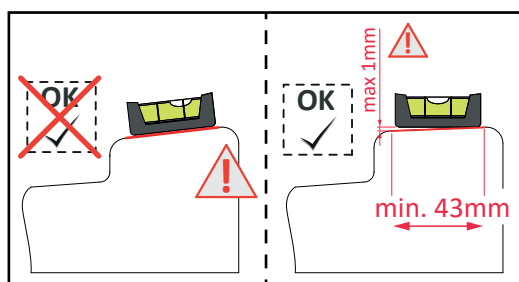
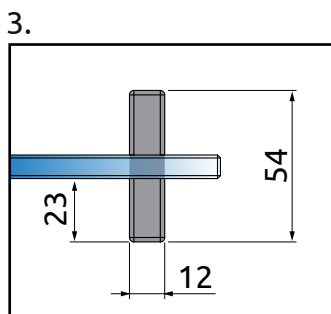


Wariant LEWY
Variant L



Wariant PRAWY
Variant R



Model	X1	C	H
Walk-in 80	790-800	453-463	2000
Walk-in 90	890-900	503-513	2000
Walk-in 100	990-1000	553-563	2000
Walk-in 110	1090-1100	603-613	2000
Walk-in 120	1190-1200	653-663	2000

